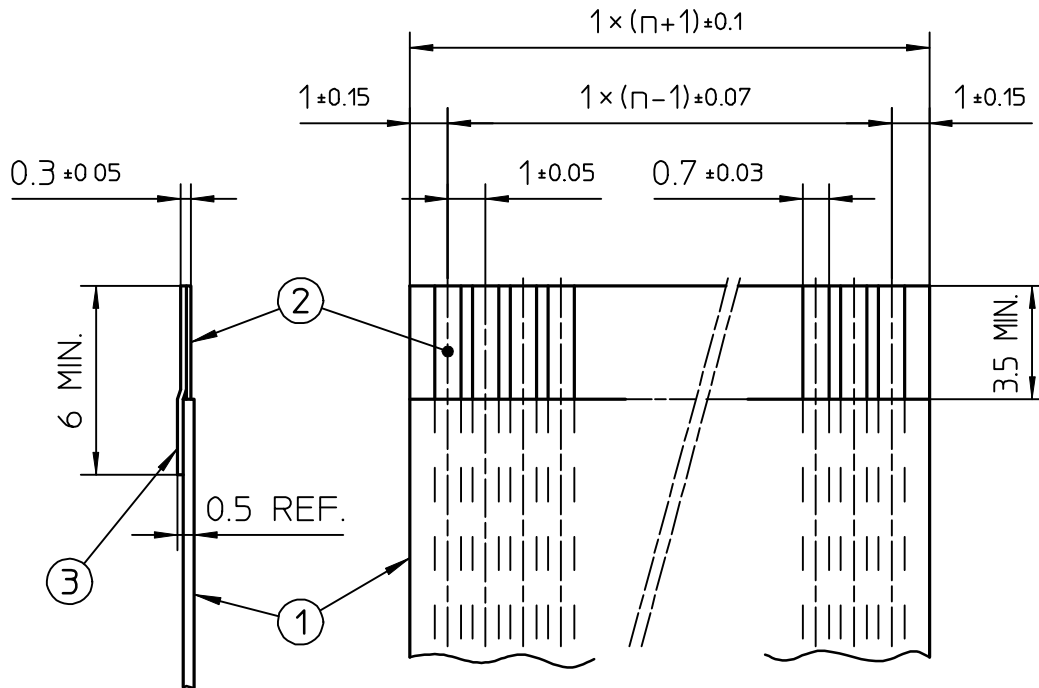


RECOMMENDED CABLE (FFC)

n : NO. OF CONDUCTOR



PT. NO.	PARTS NAME	MATERIAL	NOTE
1	INSULATOR	FLAME RESISTING POLYESTER OR EQUAL	_____
2	CONDUCTOR	COPPER FOIL	PLATING : TIN OR SOLDER 1μm MIN
3	SUPPORTING TAPE	FLAME RESISTING POLYESTER OR EQUAL	_____

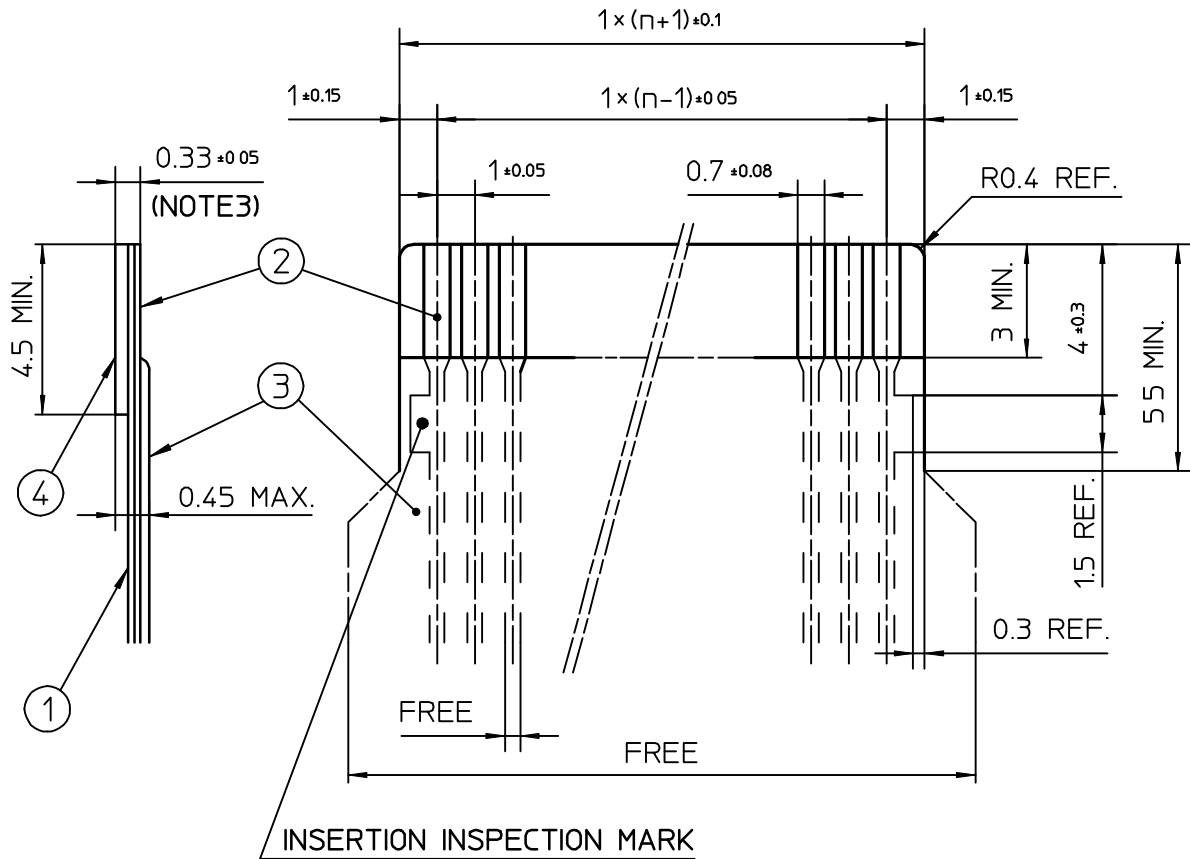
NOTES

1. NO BURR AT EACH PORTION.
2. NO PEELING IN COMMON USE.

REV.	DATE	DESCRIPTION	DWN.	APPD.	DATE	SCALE	RECOMMENDED CABLE
						$\times$	CAT NO.
						DIM. IN mm	SLW__R/S-____
						DESIGNED	DRAWING NO
						DRAWN	REV
						CHECKED	JSA 91649
						APPROVED	DF-136 REV.B

RECOMMENDED CABLE (FPC)

n : NO. OF CONDUCTOR



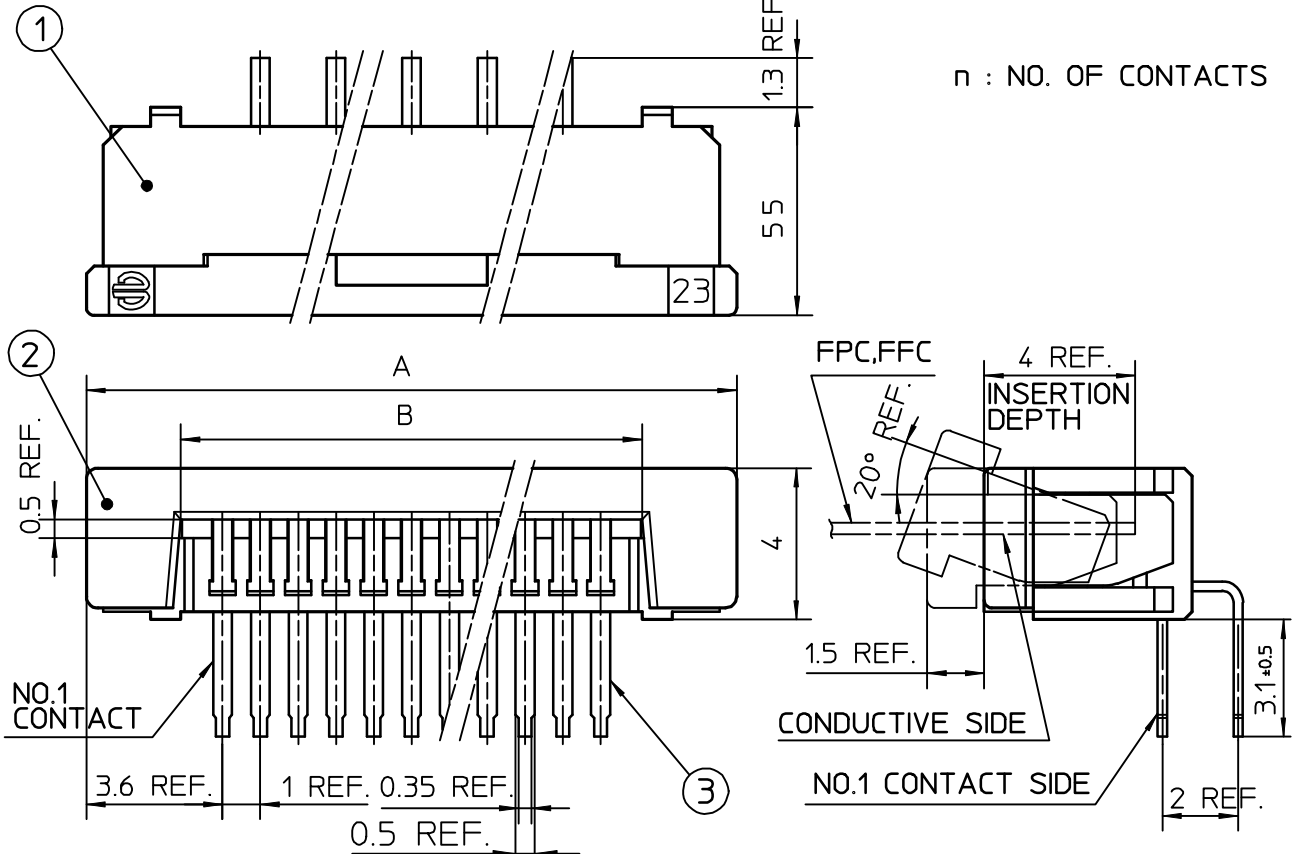
PT. NO.	PARTS NAME	MATERIAL	THICKNESS (μm)
1	BASE FILM	POLYIMIDE OR POLYESTER OR EQUAL	25
2	CONDUCTOR	COPPER FOIL(PLATING : SOLDER 1μm MIN.)	35
3	OVERLAY	POLYIMIDE OR POLYESTER OR EQUAL	—
4	SUPPORTING TAPE	POLYESTER OR POLYIMIDE OR EQUAL	188

NOTES

1. NO BURR AT EACH PORTION.
2. NO PEELING IN COMMON USE
3. TOTAL THICKNESS LIMIT OF EACH MATERIAL (INCLUDING ADHESIVE AGENT) IS SPECIFIED.

REV.	DATE	DESCRIPTION	DWN.	APPD.	DATE	SCALE	RECOMMENDED CABLE
						SCALE	RECOMMENDED CABLE
						DIM. IN	CAT NO.
						DESIGNED	SLW__R/S-___
						DRAWN	DRAWING NO
						CHECKED	JSA 91648
						APPROVED	REV
							DF-136 REV.B

TOLERANCES  
UNLESS OTHERWISE SPECIFIED : ±0.3



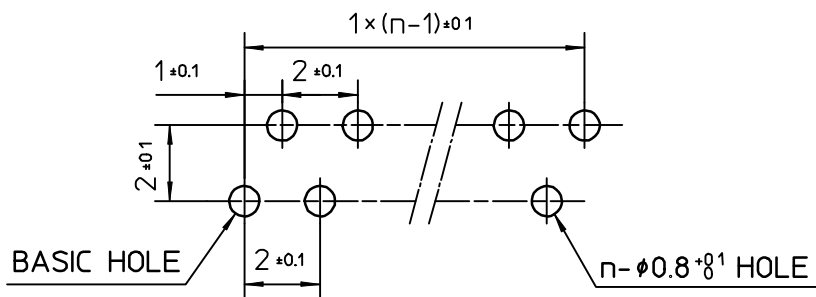
n : NO. OF CONTACTS


PT.NO.	PARTS NAME	MATERIAL	Q'TY	NOTE
1	HOUSING	NYLON RESIN GLASS REINFORCED (UL94V-0)	1	COLOR : BLACK
2	SLIDER		1	
3	CONTACT	PHOSPHOR BRONZE	n	PLATING : TIN ALLOY

RECOMMENDED PC BOARD

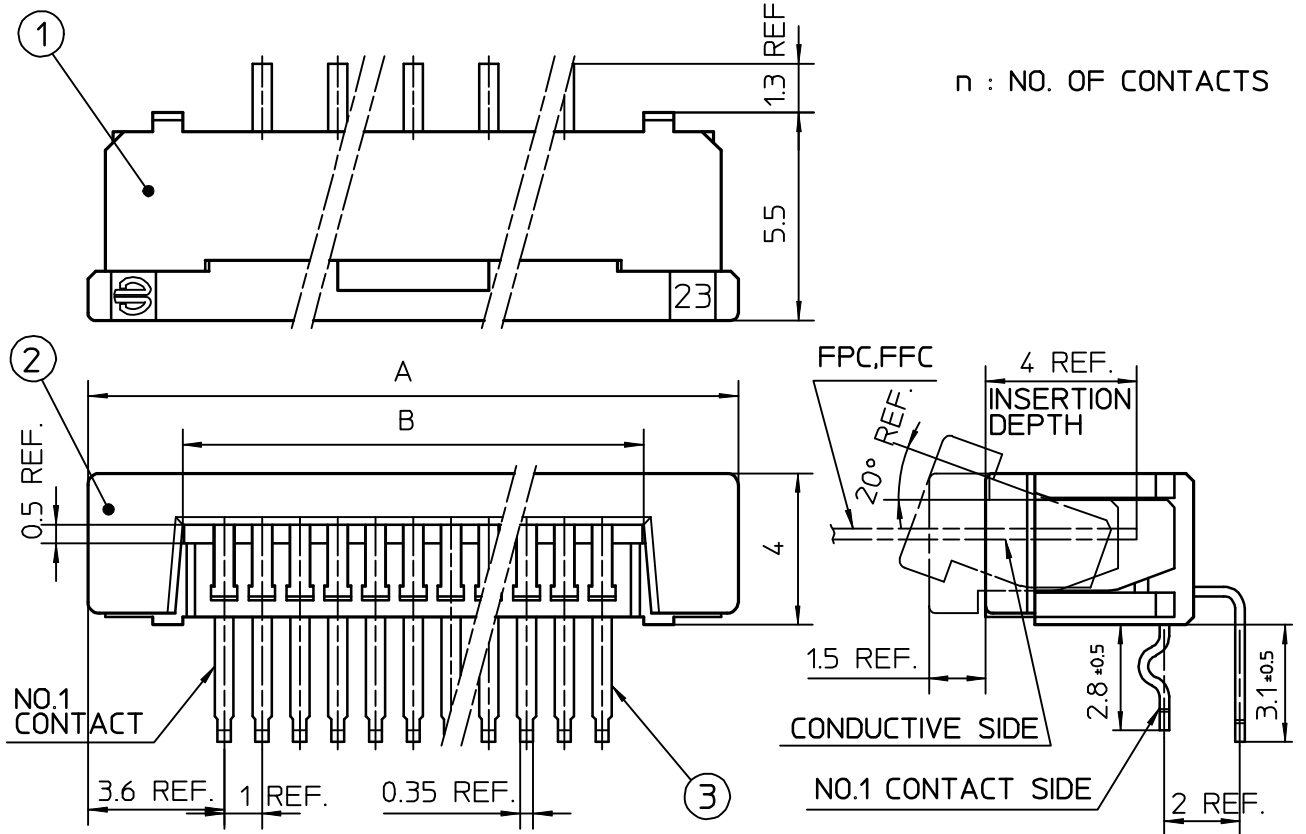
THICKNESS : 0.8~1.6

HOLE PATTERN (COMPONENT SIDE)



					SCALE	∞		
					DIM. IN	mm	CAT NO.	
					DESIGNED		SLW__R-1A7	
					DRAWN		DRAWING NO	REV
					CHECKED		JSA 93071	
					APPROVED		 DF-136 REV.B	
REV.	DATE	DESCRIPTION	DWN.	APPD.	DATE			

TOLERANCES  
UNLESS OTHERWISE SPECIFIED : ±0.3

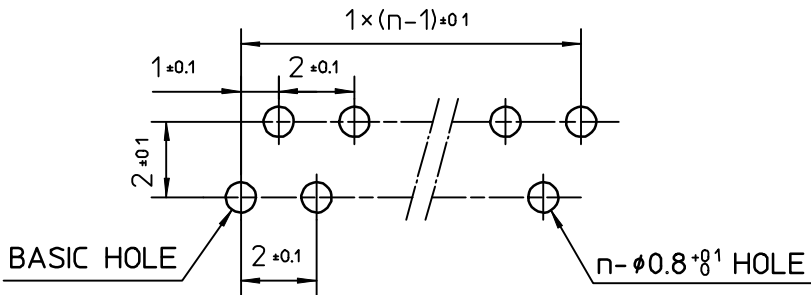


PT.NO.	PARTS NAME	MATERIAL	Q'TY	NOTE
1	HOUSING	NYLON RESIN GLASS REINFORCED (UL94V-0)	1	COLOR : BLACK
2	SLIDER		1	
3	CONTACT	PHOSPHOR BRONZE	n	PLATING : TIN ALLOY

RECOMMENDED PC BOARD

THICKNESS : 0.8~1.6

HOLE PATTERN (COMPONENT SIDE)



					SCALE	∞		
					DIM. IN	mm	CAT NO.	
					DESIGNED		SLW__R-1C7	
					DRAWN		DRAWING NO	REV
					CHECKED		JSA 91414	
					APPROVED			
REV.	DATE	DESCRIPTION	DWN.	APPD.	DATE			



DF-136  
REV.B

CAT. NO. & DIMENSIONS

NO. OF CONTACTS (n)	CAT. NO.		DIMENSIONS (NOTE1)	
	RIGHT ANGLE TYPE	STRAIGHT TYPE	A ± 0.3	B ± 0.3
4	SLW 4 R-1A7	SLW 4 S-1A7	10.2	5.2
5	SLW 5 R-1A7	SLW 5 S-1A7	11.2	6.2
6	SLW 6 R-1A7	SLW 6 S-1A7	12.2	7.2
7	SLW 7 R-1A7	SLW 7 S-1A7	13.2	8.2
8	SLW 8 R-1A7	SLW 8 S-1A7	14.2	9.2
9	SLW 9 R-1A7	SLW 9 S-1A7	15.2	10.2
10	SLW 10 R-1A7	SLW 10 S-1A7	16.2	11.2
11	SLW 11 R-1A7	SLW 11 S-1A7	17.2	12.2
12	SLW 12 R-1A7	SLW 12 S-1A7	18.2	13.2
13	SLW 13 R-1A7	SLW 13 S-1A7	19.2	14.2
14	SLW 14 R-1A7	SLW 14 S-1A7	20.2	15.2
15	SLW 15 R-1A7	SLW 15 S-1A7	21.2	16.2
16	SLW 16 R-1A7	SLW 16 S-1A7	22.2	17.2
17	SLW 17 R-1A7	SLW 17 S-1A7	23.2	18.2
18	SLW 18 R-1A7	SLW 18 S-1A7	24.2	19.2
19	SLW 19 R-1A7	SLW 19 S-1A7	25.2	20.2
20	SLW 20 R-1A7	SLW 20 S-1A7	26.2	21.2
21	SLW 21 R-1A7	SLW 21 S-1A7	27.2	22.2
22	SLW 22 R-1A7	SLW 22 S-1A7	28.2	23.2
23	SLW 23 R-1A7	SLW 23 S-1A7	29.2	24.2
24	SLW 24 R-1A7	SLW 24 S-1A7	30.2	25.2
25	SLW 25 R-1A7	SLW 25 S-1A7	31.2	26.2
26	SLW 26 R-1A7	SLW 26 S-1A7	32.2	27.2
27	SLW 27 R-1A7	SLW 27 S-1A7	33.2	28.2
28	SLW 28 R-1A7	SLW 28 S-1A7	34.2	29.2
29	SLW 29 R-1A7	SLW 29 S-1A7	35.2	30.2
30	SLW 30 R-1A7	SLW 30 S-1A7	36.2	31.2

CAT. NO.      SLW (n) R - 1A7

SERIES NAME \_\_\_\_\_

NO. OF CONTACTS \_\_\_\_\_


R: RIGHT ANGLE TYPE \_\_\_\_\_

S: STRAIGHT TYPE \_\_\_\_\_

VARIATION \_\_\_\_\_

NOTE

1. SEE PART DRAWINGS FOR DIMENSIONS A,B

					SCALE	χ		
					DIM. IN	mm	CAT NO.	
					DESIGNED		SLW__R/S-1A7	
					DRAWN		DRAWING NO	REV
					CHECKED		JSA 93070	
					APPROVED		 DF-136 REV.B	
REV.	DATE	DESCRIPTION	DWN.	APPD.	DATE			

CAT. NO. & DIMENSIONS

NO. OF CONTACTS (n)	CAT. NO.		DIMENSIONS (NOTE1)	
	RIGHT ANGLE TYPE	STRAIGHT TYPE	A ± 0.3	B ± 0.3
4	SLW4R-1C7	SLW4S-1C7	10.2	5.2
5	SLW5R-1C7	SLW5S-1C7	11.2	6.2
6	SLW6R-1C7	SLW6S-1C7	12.2	7.2
7	SLW7R-1C7	SLW7S-1C7	13.2	8.2
8	SLW8R-1C7	SLW8S-1C7	14.2	9.2
9	SLW9R-1C7	SLW9S-1C7	15.2	10.2
10	SLW10R-1C7	SLW10S-1C7	16.2	11.2
11	SLW11R-1C7	SLW11S-1C7	17.2	12.2
12	SLW12R-1C7	SLW12S-1C7	18.2	13.2
13	SLW13R-1C7	SLW13S-1C7	19.2	14.2
14	SLW14R-1C7	SLW14S-1C7	20.2	15.2
15	SLW15R-1C7	SLW15S-1C7	21.2	16.2
16	SLW16R-1C7	SLW16S-1C7	22.2	17.2
17	SLW17R-1C7	SLW17S-1C7	23.2	18.2
18	SLW18R-1C7	SLW18S-1C7	24.2	19.2
19	SLW19R-1C7	SLW19S-1C7	25.2	20.2
20	SLW20R-1C7	SLW20S-1C7	26.2	21.2
21	SLW21R-1C7	SLW21S-1C7	27.2	22.2
22	SLW22R-1C7	SLW22S-1C7	28.2	23.2
23	SLW23R-1C7	SLW23S-1C7	29.2	24.2
24	SLW24R-1C7	SLW24S-1C7	30.2	25.2
25	SLW25R-1C7	SLW25S-1C7	31.2	26.2
26	SLW26R-1C7	SLW26S-1C7	32.2	27.2
27	SLW27R-1C7	SLW27S-1C7	33.2	28.2
28	SLW28R-1C7	SLW28S-1C7	34.2	29.2
29	SLW29R-1C7	SLW29S-1C7	35.2	30.2
30	SLW30R-1C7	SLW30S-1C7	36.2	31.2

CAT. NO.                      SLW (n) R - 1C7

SERIES NAME                      \_\_\_\_\_

NO. OF CONTACTS                      \_\_\_\_\_

R : RIGHT ANGLE TYPE                      \_\_\_\_\_

S : STRAIGHT TYPE                      \_\_\_\_\_

VARIATION                      \_\_\_\_\_

NOTE

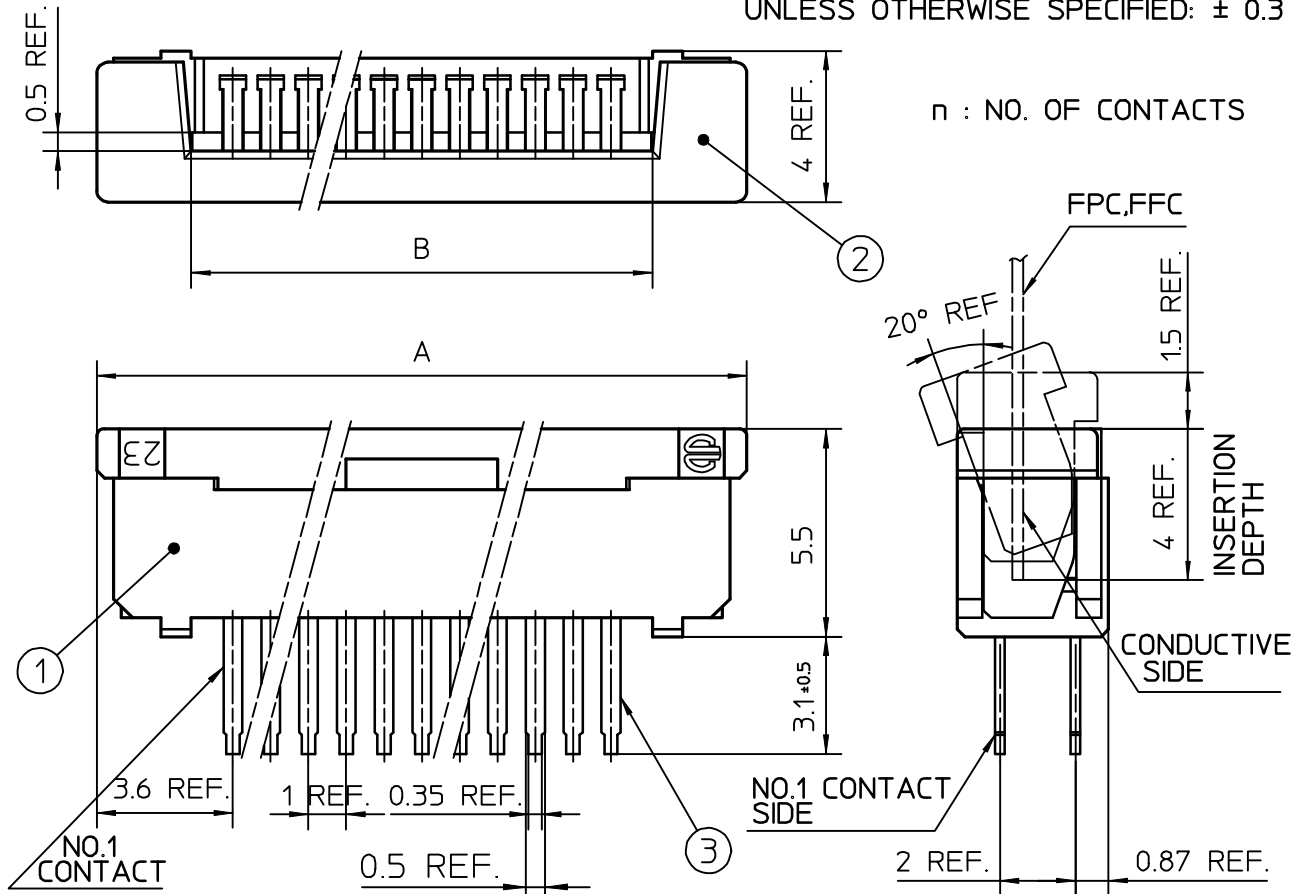
1. SEE PART DRAWINGS FOR DIMENSIONS A,B.

					SCALE	∕		
					DIM. IN	mm	CAT NO.	
					DESIGNED		SLW__R/S-1C7	
					DRAWN		DRAWING NO	REV
					CHECKED		JSA 91718	
					APPROVED			
REV.	DATE	DESCRIPTION	DWN.	APPD.	DATE			



DF-136  
REV.B

TOLERANCES  
UNLESS OTHERWISE SPECIFIED:  $\pm 0.3$



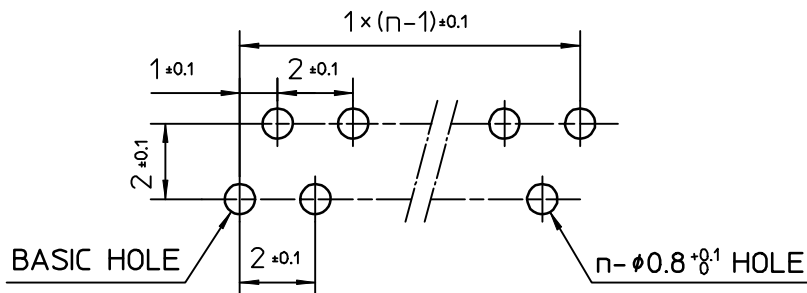
n : NO. OF CONTACTS

PT.NO.	PARTS NAME	MATERIAL	Q'TY	NOTE
1	HOUSING	NYLON RESIN GLASS REINFORCED (UL94V-0)	1	COLOR : BLACK
2	SLIDER		1	
3	CONTACT	PHOSPHOR BRONZE	n	PLATING : TIN ALLOY

RECOMMENDED PC BOARD

THICKNESS : 0.8-1.6

HOLE PATTERN (COMPONENT SIDE)

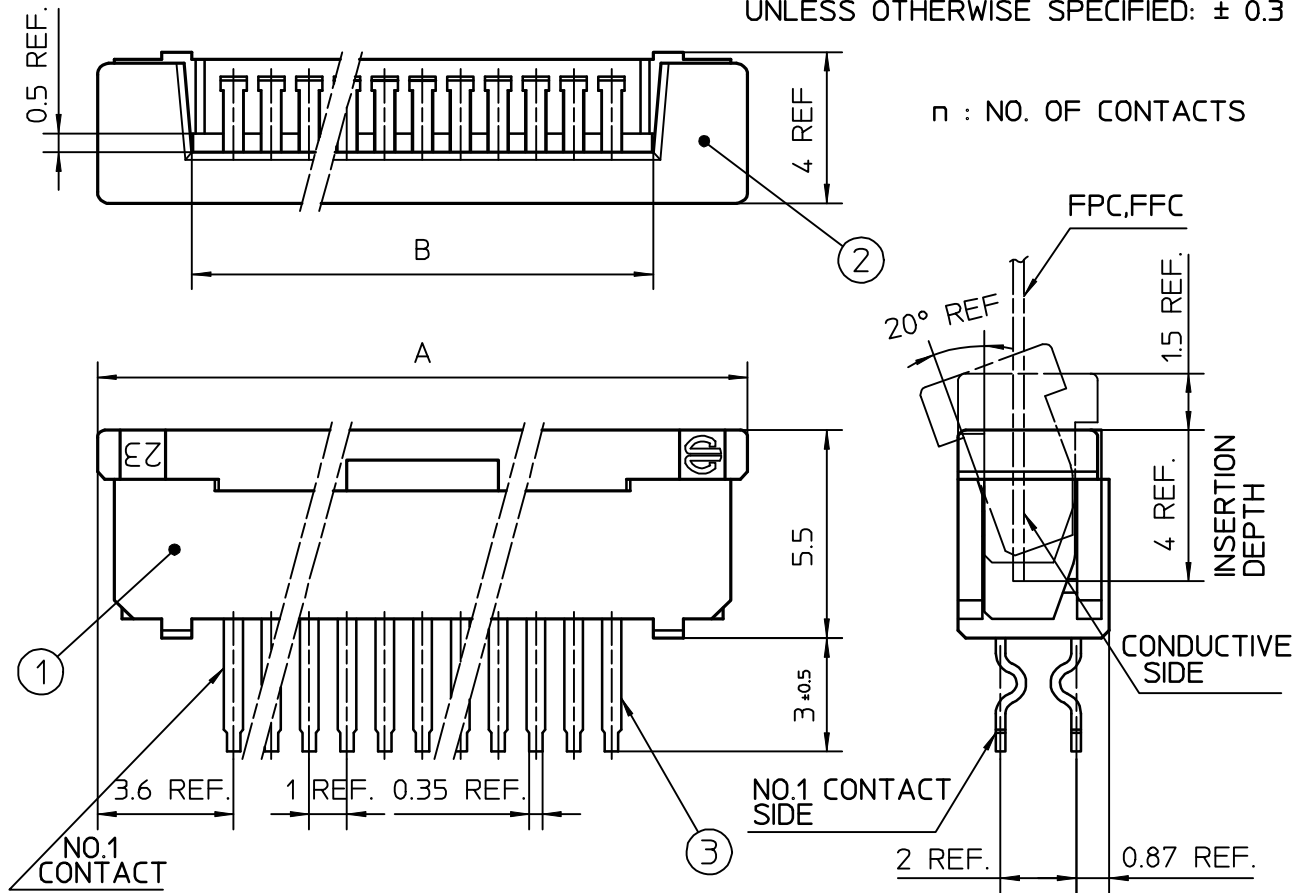


					SCALE	$\times$		
					DIM. IN	mm	CAT NO.	
					DESIGNED		SLW__S-1A7	
					DRAWN		DRAWING NO	REV
					CHECKED		JSA 93072	
					APPROVED			
REV.	DATE	DESCRIPTION	DWN.	APPD.	DATE			



DF-136  
REV.B

TOLERANCES  
UNLESS OTHERWISE SPECIFIED:  $\pm 0.3$

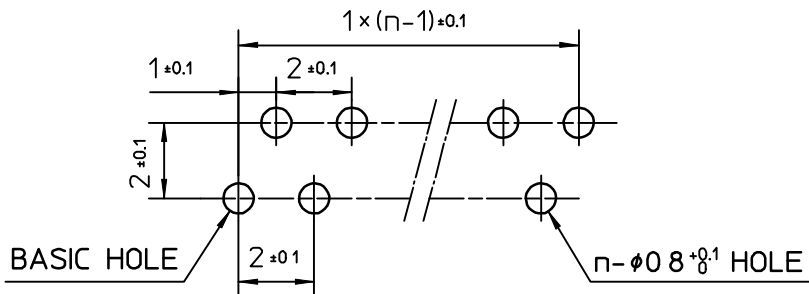


PT.NO.	PARTS NAME	MATERIAL	Q'TY	NOTE
1	HOUSING	NYLON RESIN GLASS REINFORCED (UL94V-0)	1	COLOR . BLACK
2	SLIDER		1	
3	CONTACT	PHOSPHOR BRONZE	n	PLATING : TIN ALLOY

RECOMMENDED PC BOARD

THICKNESS : 0.8-1.6

HOLE PATTERN (COMPONENT SIDE)



					SCALE	$\times$		
					DIM. IN	mm	CAT NO.	
					DESIGNED		SLW__S-1C7	
					DRAWN		DRAWING NO	REV
					CHECKED		JSA 91413	
					APPROVED			
REV.	DATE	DESCRIPTION	DWN.	APPD.	DATE			



DF-136  
REV.B